

KORO RIW

No. 1 European Brands for OEM
quality

- Industry and
- Crane Components

“MADE IN GERMANY”.



PT. LELANGON is a leading national company in design, manufacture and installation for Crane.

Products: Overhead Crane, Container Crane, Luffing Crane, Ship Unloader, Ship Loader and Deck Crane.

Service Provider for engineering design, consulting as well as survey for Crane and Winder.

Crane modification, refurbishment, repair and maintenance service.

KORO RIW

KoRo-RIW is the No. 1 European Brands for OEM quality Industry and Crane Components “MADE IN GERMANY”.

We are dedicated to serving Crane Builder, Channel Partner and Service Companies.

We are expanding our network into **Southeast Asia**

Teaming up with



PT. LELANGON is a leading national company in design, manufacture and installation for Crane.

Easy to contact



KORO RIW



MISSION, VISION, VALUE



mission completed

Everything for our
customers –
Everything for our
employees

"With nearly **100 years** of tradition, KoRo RIW stands as a proud **family business**, built on a legacy of excellence and trust."

KORO RIW

Leading the European Market in Crane Components and Wheels

- We are the **European market leader** in crane components and wheels, dedicated to being a reliable partner for high-demand crane and industrial components.
- Our mission is to continuously enhance our core expertise, transforming from a mere steel producer to an **expert and solution provider**.
- With our extensive know-how, we deliver everything from simple rail clamps to **complex winch trolleys**, ensuring innovative solutions for all your needs.

KORO RIW

Business Development

KoRo RIW

is seeking a **strong partnership** for a **sustainable and holistic market entry**.

We are looking for a setup, partner, agency, key account, JV, and/or M&A to collaborate with us in achieving this goal.

Sharing our philosophy?

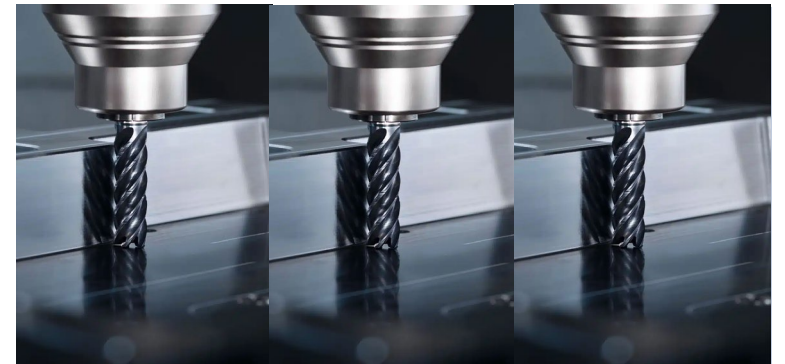
Familiar with our products?

Same enthusiasm for safety, quality and business development?

Do you love cranes, material handling and challenges

That's why we are in touch!

(but not limited to)



Always Aiming for Excellence in Crane Components



Solutions for **your ENVIRONMENT** on demand. Crane Performance: YES we CAN & "YES we CRANE"

KORO RIW
YES WE CAN

KG
YES WE CAN

CRANE PERFORMANCE PARTS

If something has to go from A to B via C to Z, then we come. As an owner-managed company, we stand for innovative solutions for all aspects of our crane components expertise.

KORO RIW
YES WE CAN

KG
YES WE CAN

KORO RIW

Our overall
COMPANY
VALUES!

We always want
to hit the ball

- **Be easy to do business with!**
Focus on the customer. Listen. Simplify
- **Deliver on your commitments!**
Aim for greatness. Do your best. Hold yourself accountable
- **Think in a different way..**
Be proactive with new ideas. Ask question. Be part of the solution.
- **Win as one Team.**
Work together, Respect each other.
Celebrate success
- **Never compromise on quality or safety.**
Never reduce in quality, value, or degree;
weaken or lower. Never compromise our standards.

KORO RIW

YES WE CAN



YES WE CAN

Always Aiming for Excellence in Crane Components

KORO RIW

[Karl Georg - Liebherr Customer Story - english version \(youtube.com\)](#)



More than 1,700 employees generate an annual turnover of around € 500 million at the Rostock factory.

Always Aiming for Excellence in Crane Components



[KoRo RIW GmbH | Unternehmensfilm \(youtube.com\)](https://www.youtube.com/watch?v=...)



KORO RIW

HYDRAULIC-BUFFER

Europe 1

market leader.



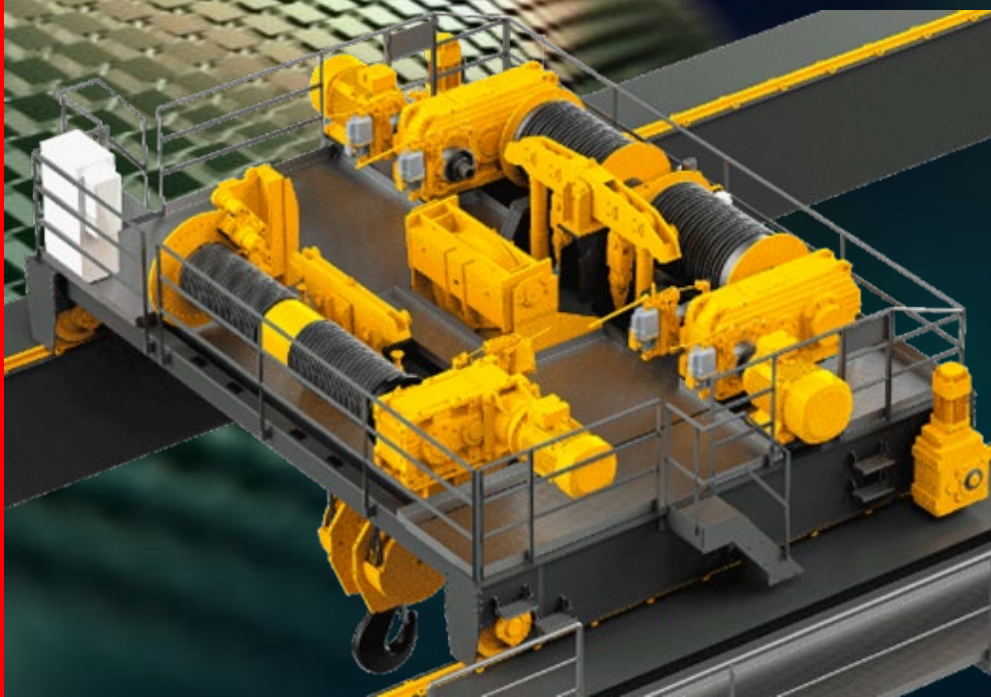
**Premium Quality, Innovation
and Safety for the Highest Demands**

KORO RIW

OEM WINCH

Europe 1

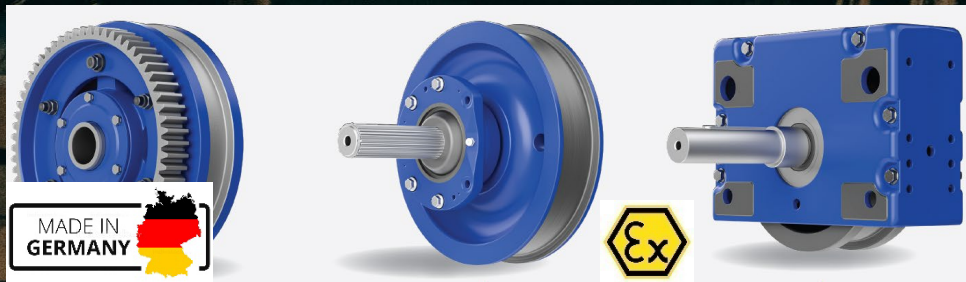
market leader.



**Premium Quality, Innovation
and Safety for the Highest Demands**

All type of crane wheels and wheel blocks for your need

We can produce and deliver most kind of crane wheels suitable to replace or substitute products from market leader (KC, DEMAG, Liebherr, Kalmar, CMC0 etc) in OEM quality or better



Always Aiming for Excellence in Crane Components



KORO RIW COMPETENCE IN COMPONENTS

ATLAS WHEEL BLOCK SYSTEM RB 160 - RB 500

- 30 °C TO +200 °C
- UP TO 40 TONS
- EASY TO INSTALL
- FLEXIBLE DRIVE SELECTION
- HIGH AVAILABILITY

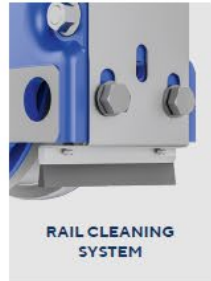
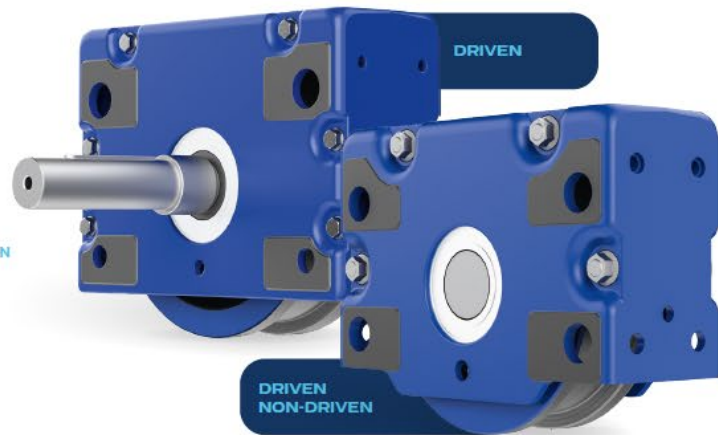


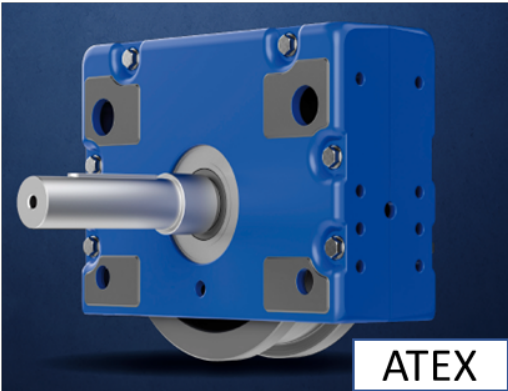
Photo: Heavy-duty robot (DLR Series) by DANCOG & DIENHARTAL Maschinenbau GmbH

KORO RIW COMPETENCE IN COMPONENTS

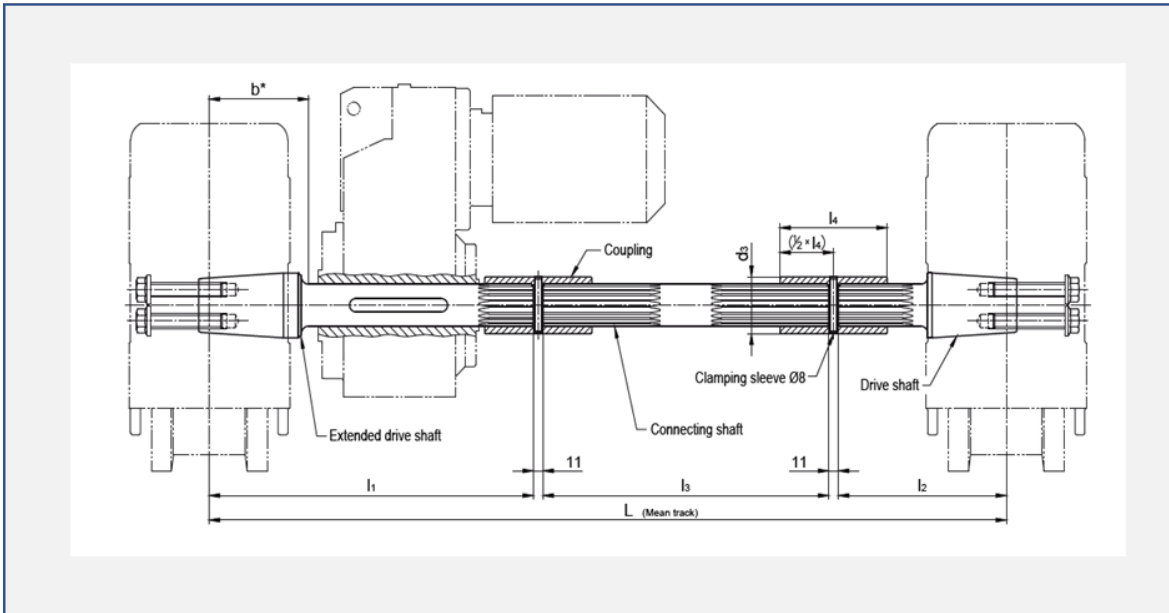
The WORLD 's best and most flexible
Wheel block from its INVENTOR

→ up to 40t

Wheel block RB 160 – 500



- Ideal as a modular engineering element and a perfect replacement for competition products.
- Quality is OEM or better.
- All type of wheel material available.
- Brass wheels for Ex. Proof
- Heat treatment and/or harding as per demand



DRIVE MANUFACTURES: Drive shafts suitable for slip-on gear mechanisms from any other manufacturers on request.

DEMAG	STAHL CRANESYSTEMS
SEW	KONESCO
NORD	KONECRANES
PREMIUM STEPHAN	ABM GREIFENBERGER
SIEMENS	ABB
BONFIGLIOLI	FLENDER

Always Aiming for Excellence in Crane Components



KORO RIW COMPETENCE IN COMPONENTS

TITAN WHEEL SET SYSTEM SERIES KG130

-30 °C TO
+200 °C

UP TO 60
TONS

SIMPLE
INSTALLATION

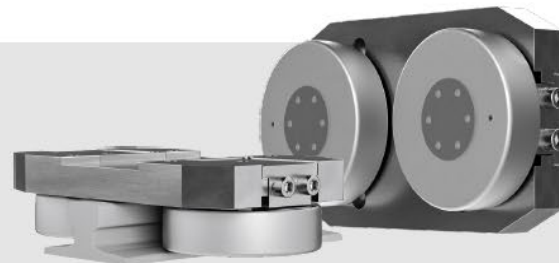
FLEXIBLE DRIVE
SELECTION

HIGH
AVAILABILITY



High Performance OEM Guide Rollers

For your safe use with parallel rail head sides from stock. Options for inclined rail head sides as well as additional roller securing are a matter of course for us.



Always Aiming for Excellence in Crane Components



KORO RIW COMPETENCE IN COMPONENTS

CRANE WHEELS

KARL GEORG factory standards



KG 010.1



KG 010.2



KG 015



KG 020



KG 030

DIN standards



DIN 15074



DIN 15075



DIN 15078

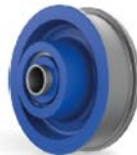


DIN 15079



DIN 15093

TGL standards



TGL 34964



TGL 34965



TGL 34968



Always Aiming for Excellence in Crane Components



KORO RIW COMPETENCE IN COMPONENTS

WHEEL SETS



WHEEL SET
RAD KG 125



WHEEL SET
RND KG 125



RA KG 125



RN KG 125



DRIVEN WHEEL SET
DIN 15090



IDLER WHEEL SET
DIN 15090



CRANE WHEEL
TGL34968

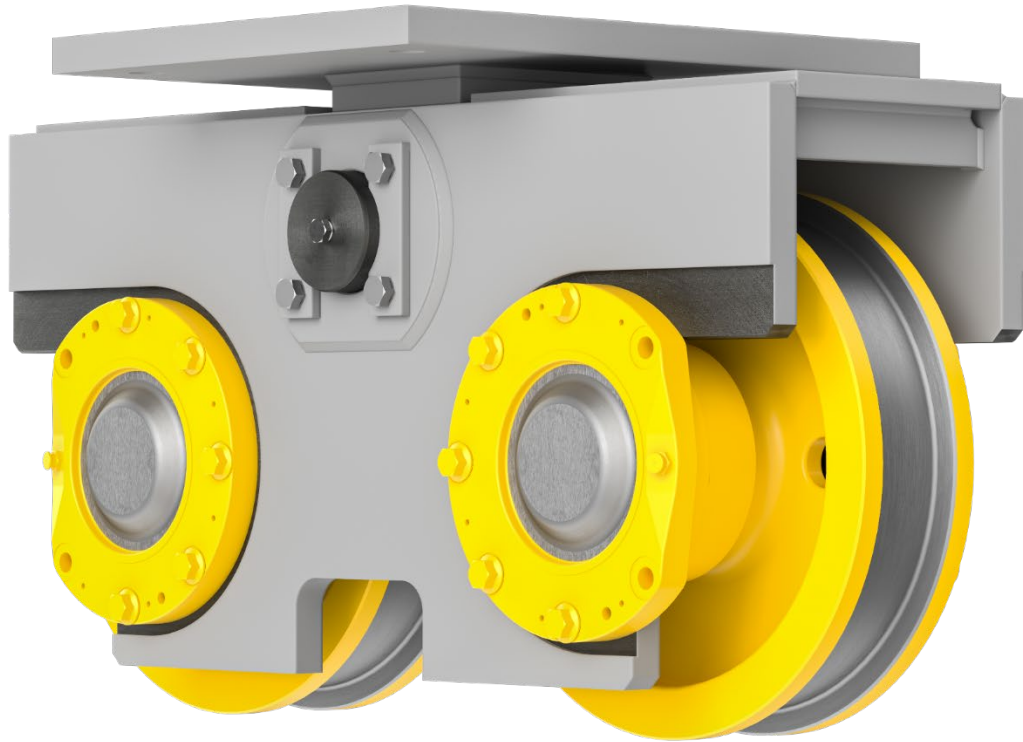


IDLER WHEEL SET
TGL34968



KORO RIW

Our wheels, We provide the widest range of Wheels, Crane Wheels in Europe



It would be too easy to say, we are better. But it describes it well.

Crane wheels

Acc. to applicable international standards

Wheels sets

Driven- and non-driven wheel sets acc. to international standards

THE " ORIGINAL "Wheel block (BEST IN THE WORLD)

The easy universal solution

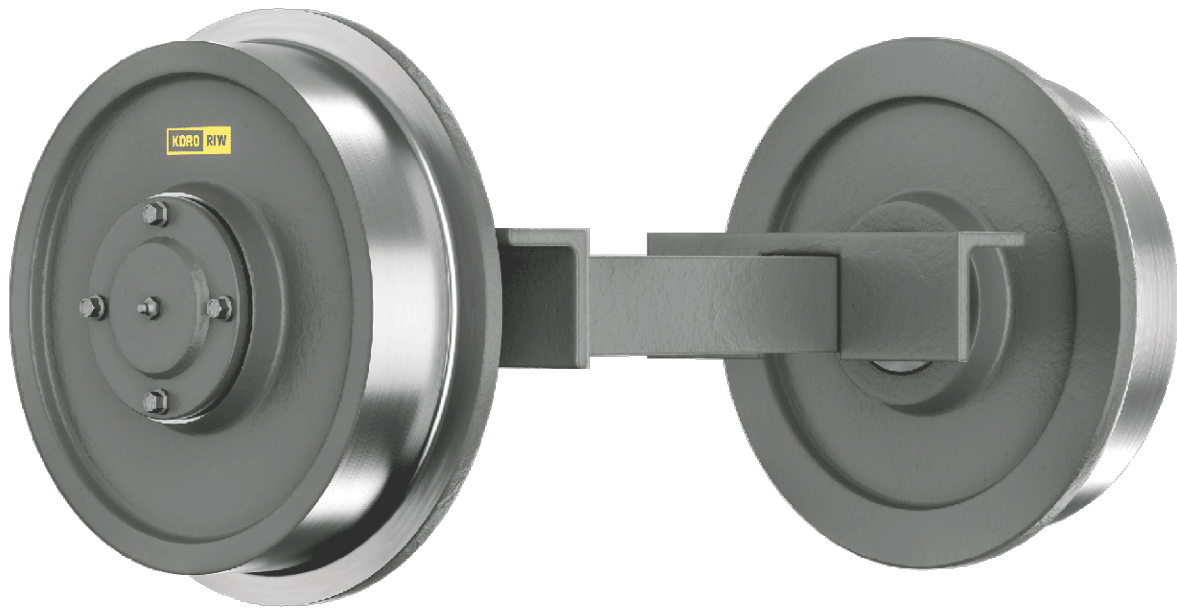
Boogies

steel works acc. to DIN EN 1090 EX3

OEM Universal guide roller kits

KORO RIW

Our wide range of wheel sets



Special or complicated; It is only for others. We are pleased to be on your service.

Single wheel sets

Acc. to your demand and until Ø 400

Double wheel sets

Acc. to your demand and until Ø 400

Special shaped wheels

Acc. to your demand and our know-how

Guaranteed solutions for your application
e.g. furnace cars, dryer cars, rail
mounted sliding doors, slip facilities,
track construction machines ...



Premium Partner in Safe Motion
and Motion Control

Engineered & Tested to Work Together

Single Supply Partner

Team of Experts

Most Advanced, High-Quality Products

Family-owned structure



Serving Your High-Value Motion Control Needs



A large industrial crane is lifting a massive, rectangular metal component in a factory setting. The scene is dimly lit with warm, orange-toned lights, creating a dramatic atmosphere. The crane's cables and hook are visible on the left, and the component is suspended in the center. In the background, there are various industrial structures, including a staircase on the right and some workers in the distance. The overall scene conveys a sense of heavy industrial work and precision.

**Our standardized OEM concept,
the OEM open winches and the OEM
winch components
are tailor made
for your great performance**

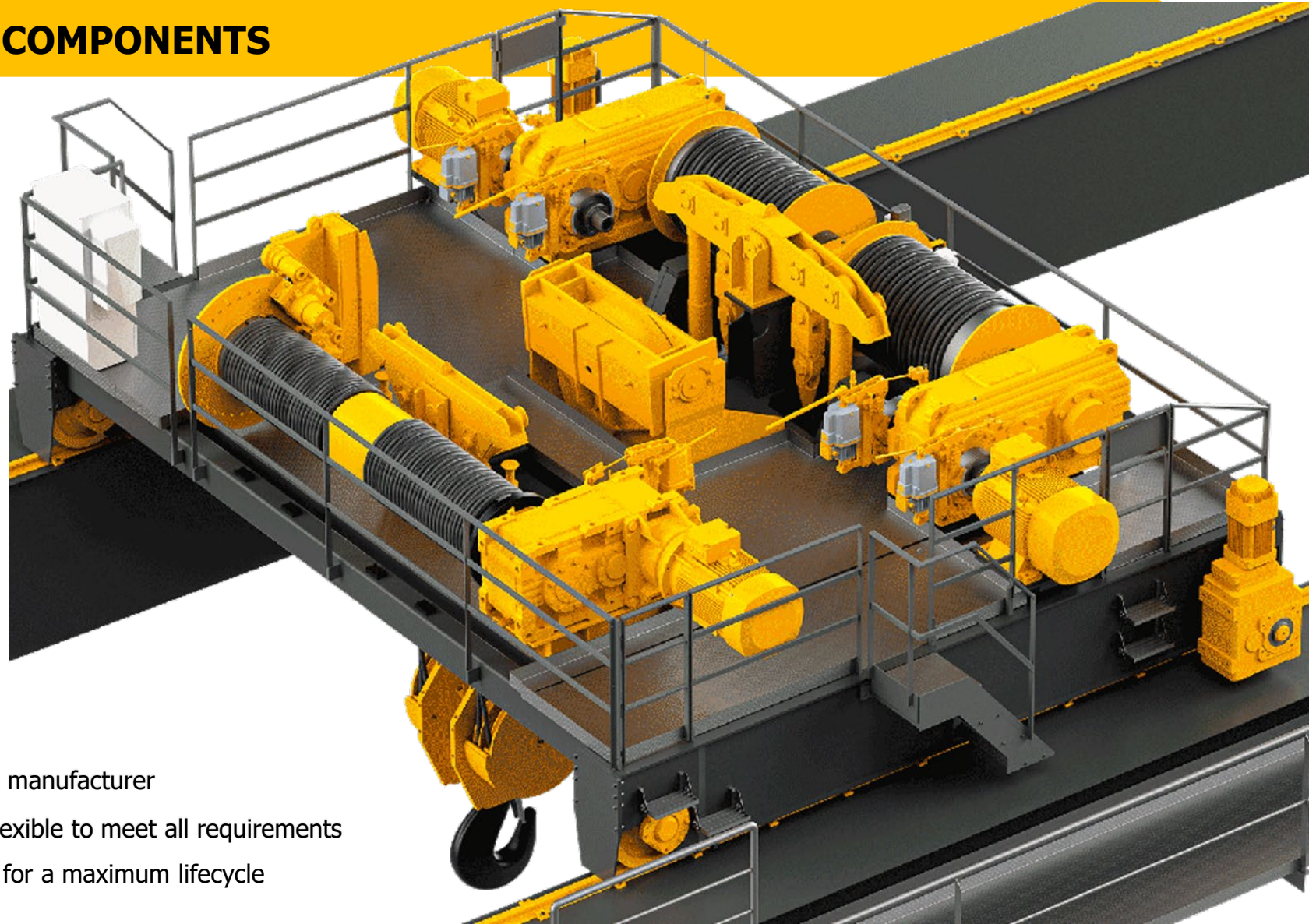
Always Aiming for Excellence in Crane Components

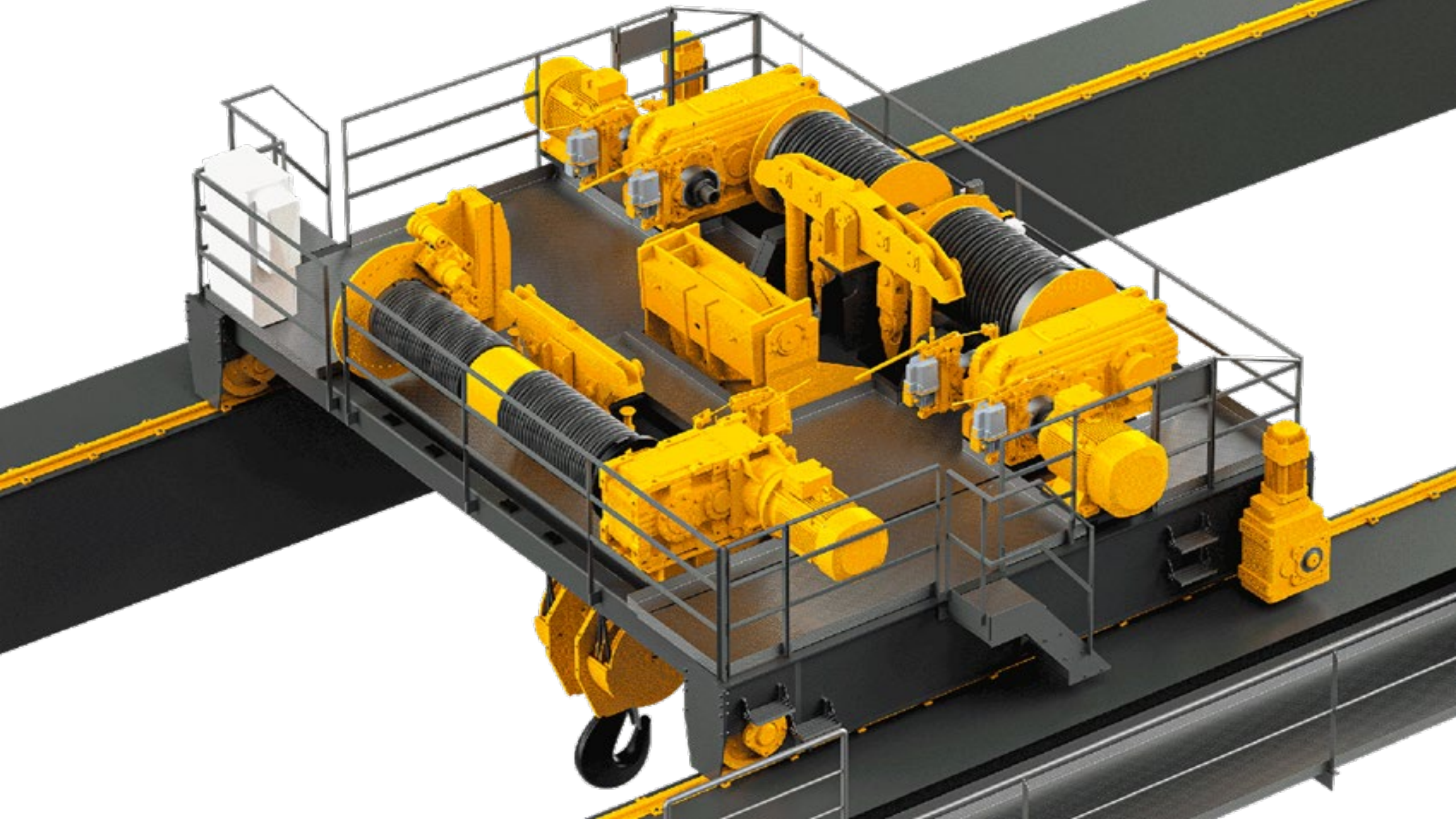
KORO RIW

KORO RIW COMPETENCE IN COMPONENTS

The WORLD´S best and most flexible OEM Open Winch concept
"Made in Germany"
by KoRo-RIW

- Tailored OEM heavy duty winch
- We lift up to 500t SWL
- Preassembled for easy crab commissioning
- Reasonably priced for the original equipment manufacturer
- Modular for container transport and overall flexible to meet all requirements
- Optimized design and performance material for a maximum lifecycle



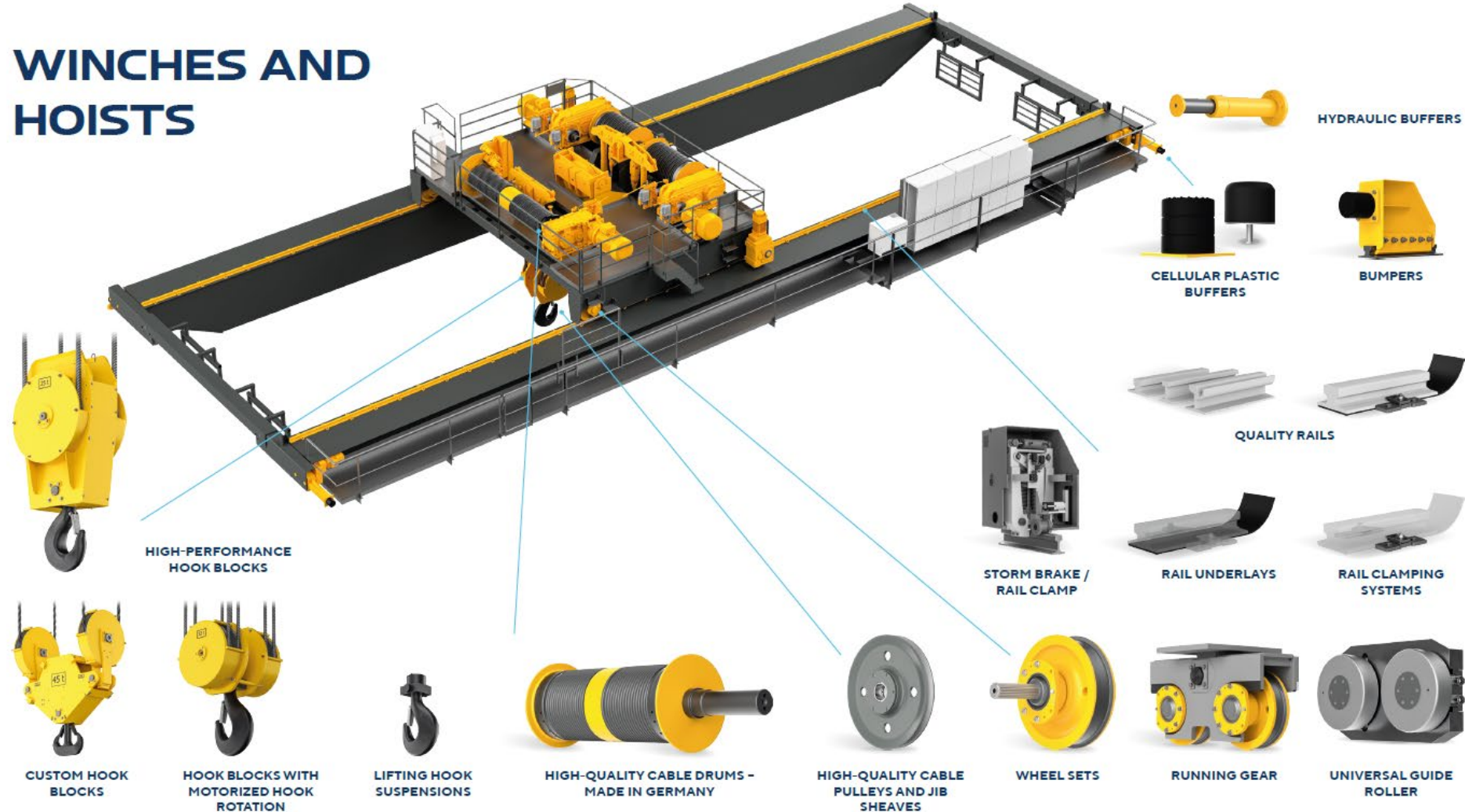


Always Aiming for Excellence in Crane Components



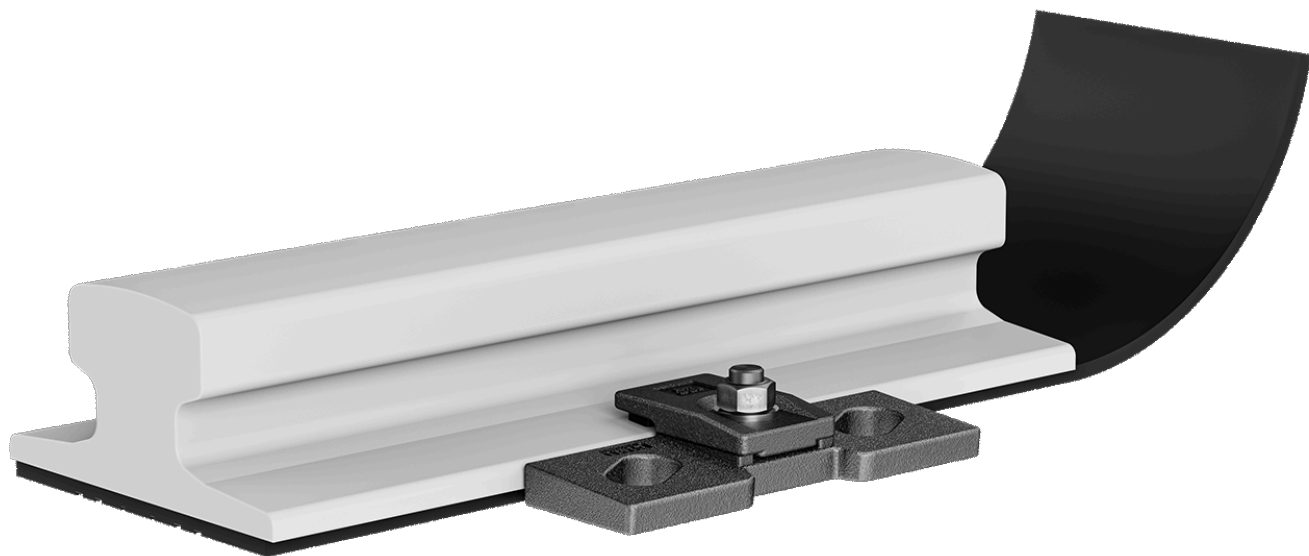
KORO RIW COMPETENCE IN COMPONENTS

WINCHES AND HOISTS



KORO RIW

Crane rail system for special requirements



Rails made in Europe

Crane rails, vignol rails, grooved rails ...

Rail Clamping's

For all common rail and crane track/girder systems. For installation on concrete or steel girders. For welding or bolting in fixed or adjustable execution

Rail support

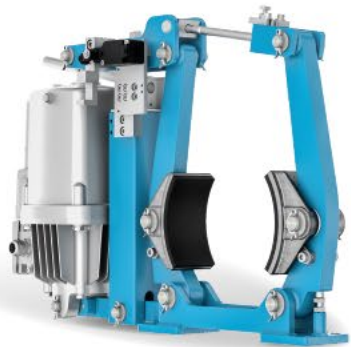
High performance synthetic rubber rail support in 85° Shore A, with steel core for vibration cushioning and noise reduction, corrosion protection and longer rail lifetime.

Always Aiming for Excellence in Crane Components



KORO RIW COMPETENCE IN COMPONENTS

BRAKE SYSTEMS



DRUM BRAKES



DISC BRAKES



ELECTROHYDRAULIC LIFTING EQUIPMENT



BRAKE DRUMS AND BRAKE DISCS

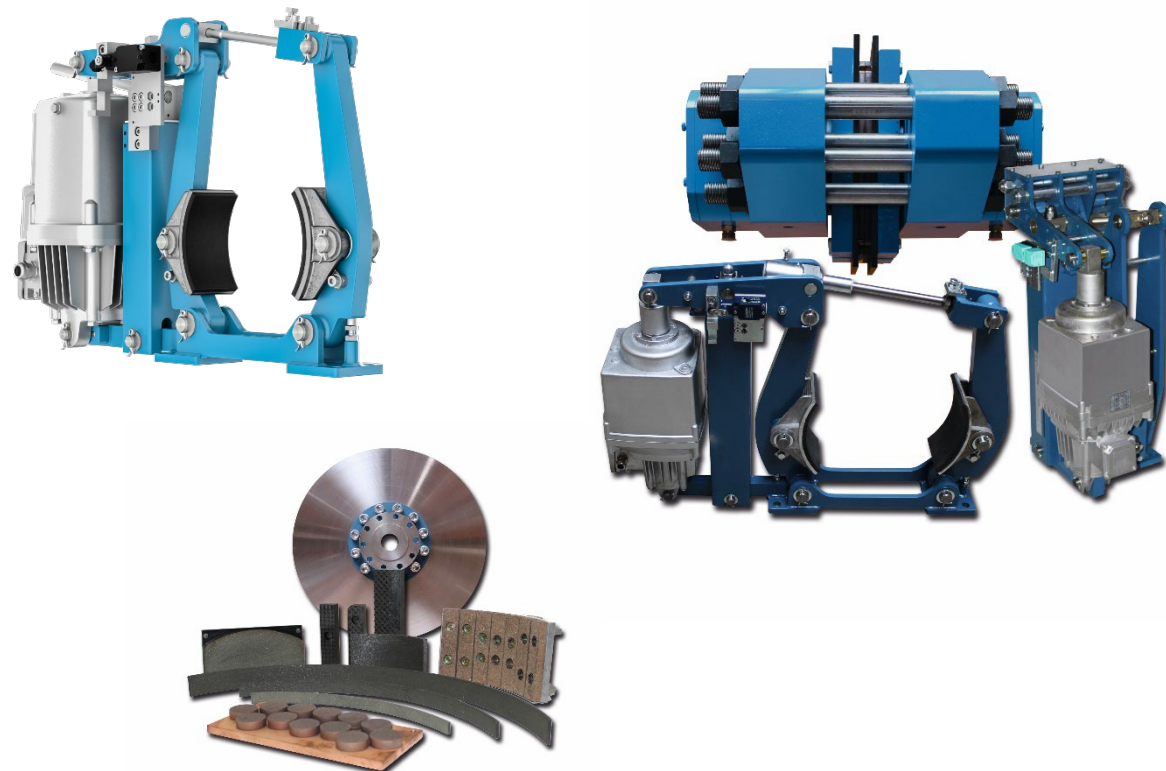


HIGH-PERFORMANCE BRAKE LININGS



KORO RIW

Our BRAKES and **nothing else**



Koro RIW braking systems are the best quality controlled and the only product 100% Made in Germany.

Double shoe brakes, acc. to DIN- or applicable foundry standard

Disc brakes
acc. to renowned industrial standard

Accessories

Brake drums, brake shoes, brake discs

Even electro-hydraulic thrusters 100% produced by KoRo RIW; for up to 2.000 operations per hour

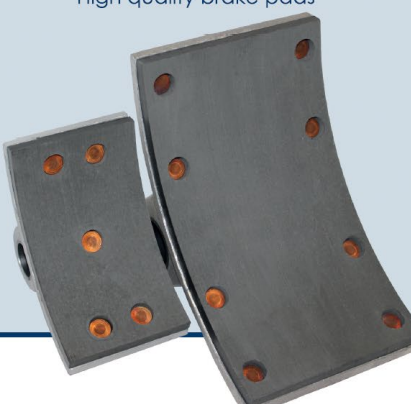
Overhauling in our refurbishment center

Safety, and no limits

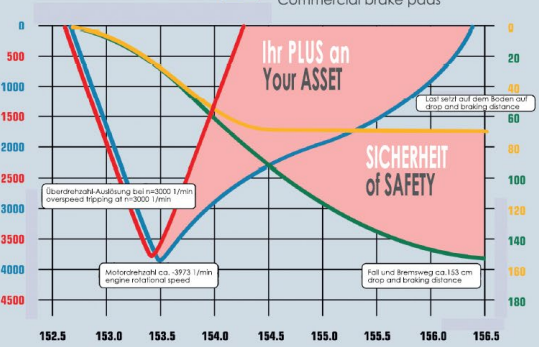
Has Never Been More Convincing:
 Bestseller,
 Best in Class,
 Best in Performance...
 Best in Price/Value



KBBxtrem
 Hochleistungsbremsbelag
 High quality brake pads



■ Hochleistungsbremsbelag KBB-xtrem
 High quality brake pads KBB-xtrem
■ Handelsüblicher Bremsbelag
 Commercial brake pads



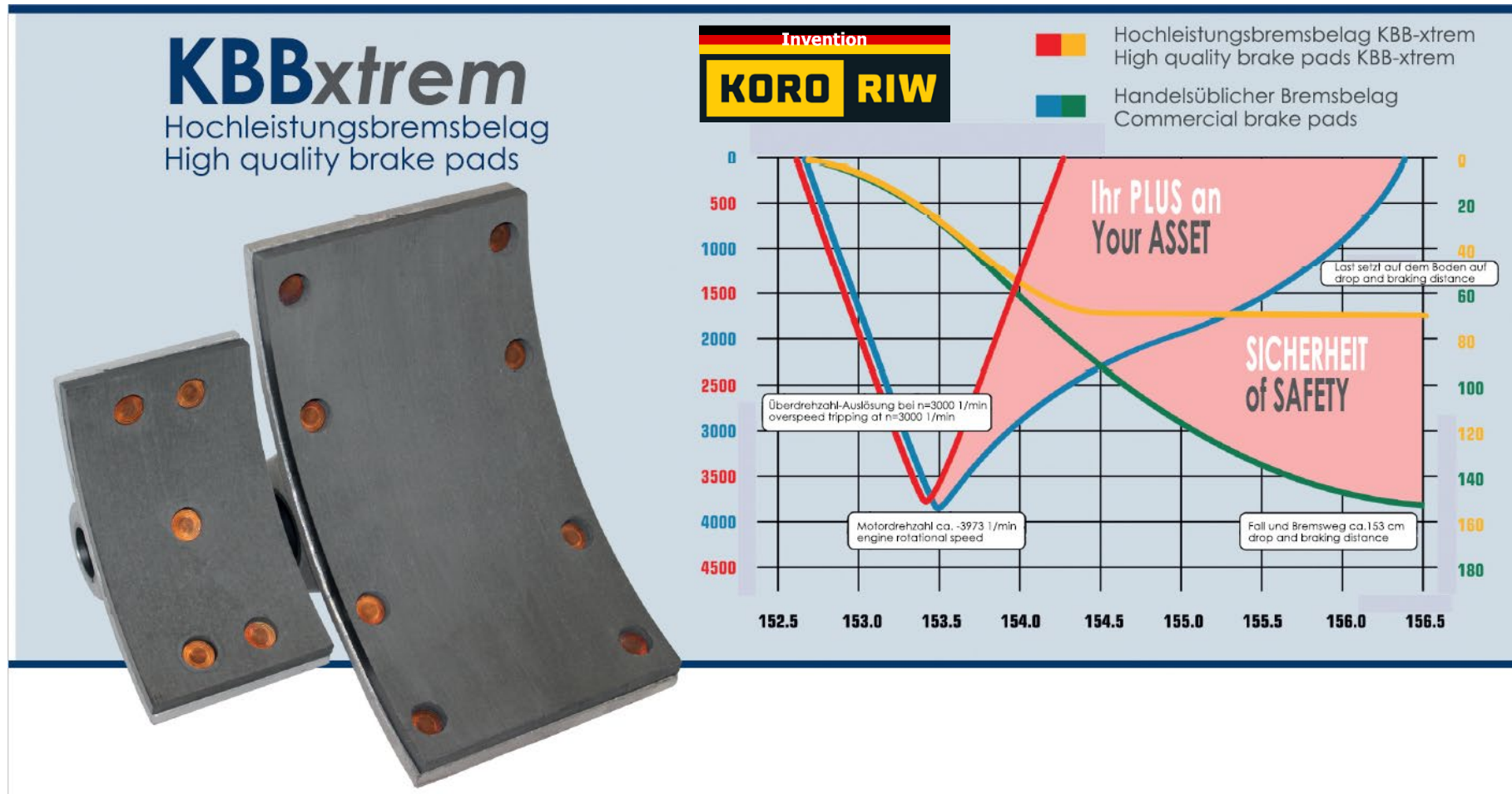
Ihr PLUS an Your ASSET

SICHERHEIT of SAFETY

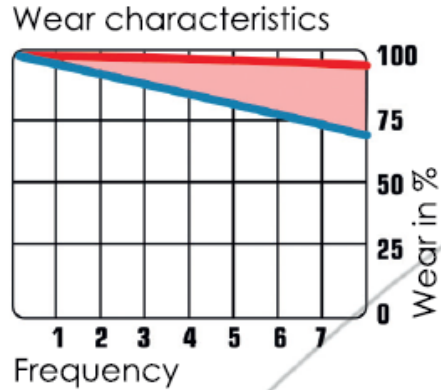
Always Aiming for Excellence in Crane Components



Safety never had a better ARGUMENT. Bestseller, Best in Class, Best in Performance...Best in price/value



Safety never had a better ARGUMENT. Bestseller, Best in Class, Best in Performance...Best in price/value



Maximum wear resistance with the highest levels of safety

The combination of maximum reliable frictional velocity (60 m/s) and maximum surface pressure optimises the result of the risk assessment. Increase safety levels in the existing plants during the next inspection. Use the productivity in new constructions and offer your customers:

- **higher partial load speeds**
- **longer service lives**
- **more cost-effective drives by using 4-pole motors**
- **implementation of drum breaks in place of cost-intensive disk brakes**
- **increased safety with maximum emergency catch properties**

Always Aiming for Excellence in Crane Components



KORO RIW COMPETENCE IN COMPONENTS

LOAD HANDLING GEAR AND BEAMS



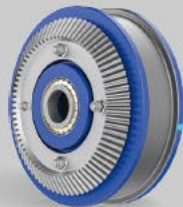
CAST LIFTING BEAMS



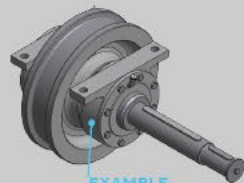
LAMINATED HOOKS



CUSTOM DESIGNS



EXAMPLE
Bevel gear



EXAMPLE
Pillow block housing



KORO RIW

Our bottom blocks and traverses



BOTTOM BLOCKS WITH MANUALLY
ROTATING HOOK

BOTTOM BLOCKS WITH MOTOR-DRIVEN
ROTATING HOOK

BOTTOM BLOCKS IN SPECIAL DESIGN
EXECUTION

ROPE SHEAVES UP TO 2.000MM IN
DIAMETER

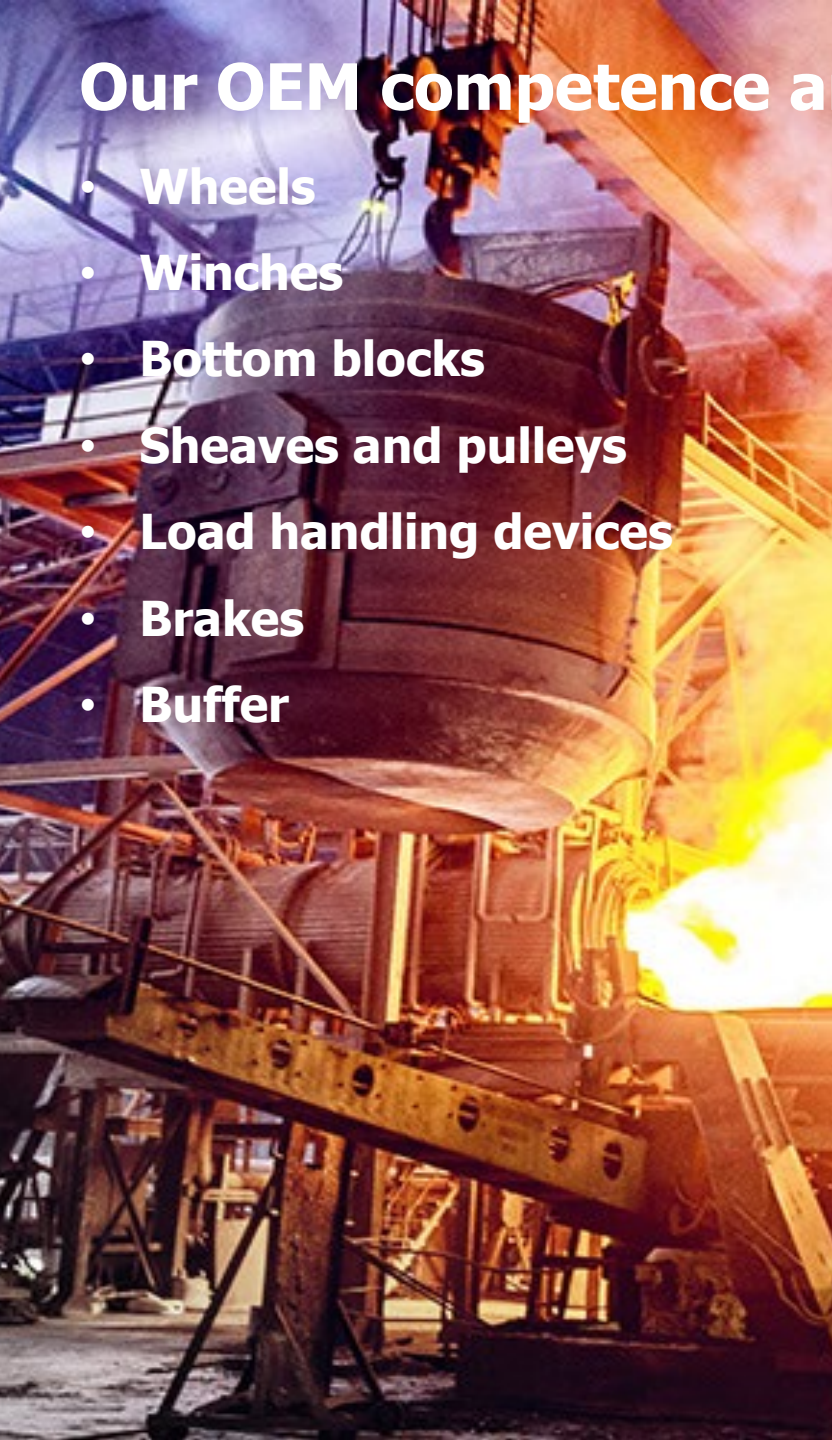
HOOK MOUNTINGS

OVERHAULING AND REPAIRING IN OUR
REFURBISHMENT CENTER

Our OEM competence and service for steel mills

- Wheels
- Winches
- Bottom blocks
- Sheaves and pulleys
- Load handling devices
- Brakes
- Buffer

KORO RIW



For 100% Performance

Our competence and service for ports and logistics

- **Wheels**
- **Rope drums**
- **Bottom blocks**
- **Sheaves and pulleys**
- **Load handling devices**
- **Load traverses**
- **Brakes**
- **Buffer**
- **Replacement kits and**
- **Great service**





For 100% Performance
Our competence and service for ports and logistics

- **Wheels**
- **Rope drums**
- **Bottom blocks**
- **Sheaves and pulleys**
- **Load handling devices**
- **Load traverses**
- **Brakes**
- **Buffer**
- **Replacement kits and**



For 100% Performance

KORO RIW

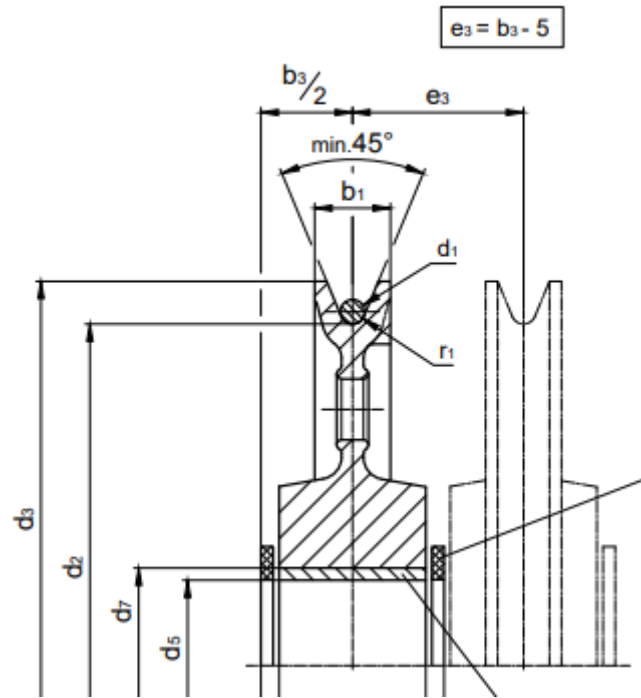
Our competence and service for ports and logistics

- **Wheels**
- **Rope drums**
- **Bottom blocks**
- **Sheaves and pulleys**
- **Load handling devices**
- **Load traverses**
- **Brakes**
- **Buffer**
- **Replacement kits and**
- **Great service**



KORO RIW

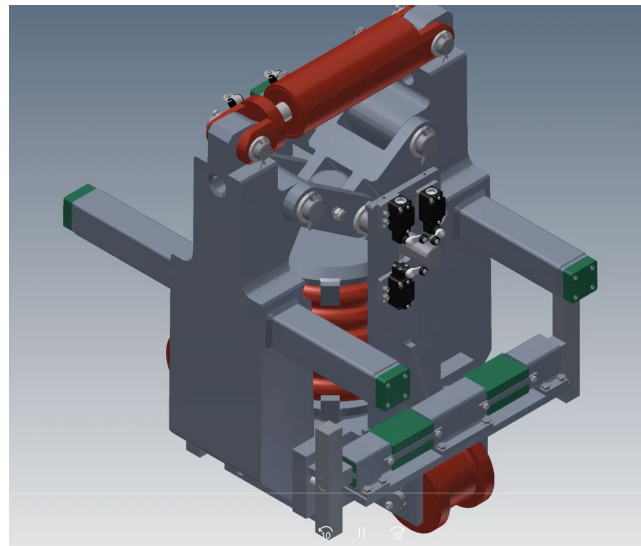
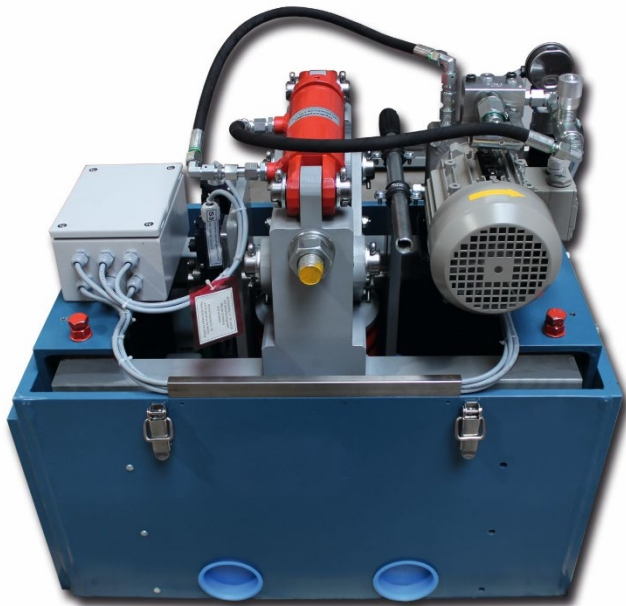
Rope pulleys



Our high-quality rope pulleys are **OEM quality and better** and manufactured from cast steel or forged steel in various raw material qualities. The welded rope pulleys do not belong to our delivery program. Upon customers desire, also slip free hardening of the rope grooves is possible. The rope pulleys can, as desired, be delivered without inner parts or complete with sliding or roller bearings.

KORO RIW

„Windlock“ rail clamping system



Our high-quality mechanical and electro hydraulic wind lock or rail clamping systems are widely used for outdoor installations to safely keep the crane in place and withstand windspeed and forces as per customer demand.,

We manufactured from cast steel or forged steel in various raw material qualities and fulfill customers specification as per demand.

KORO RIW

Our buffers



We help to control motion safely

Cellular buffer

OEM cellular rubber buffers up to 600mm
Ø 2.800 kN to the end

Rubber buffer

OEM rubber buffer up to Ø 315mm und
618 kN to the end

Hydraulic buffer

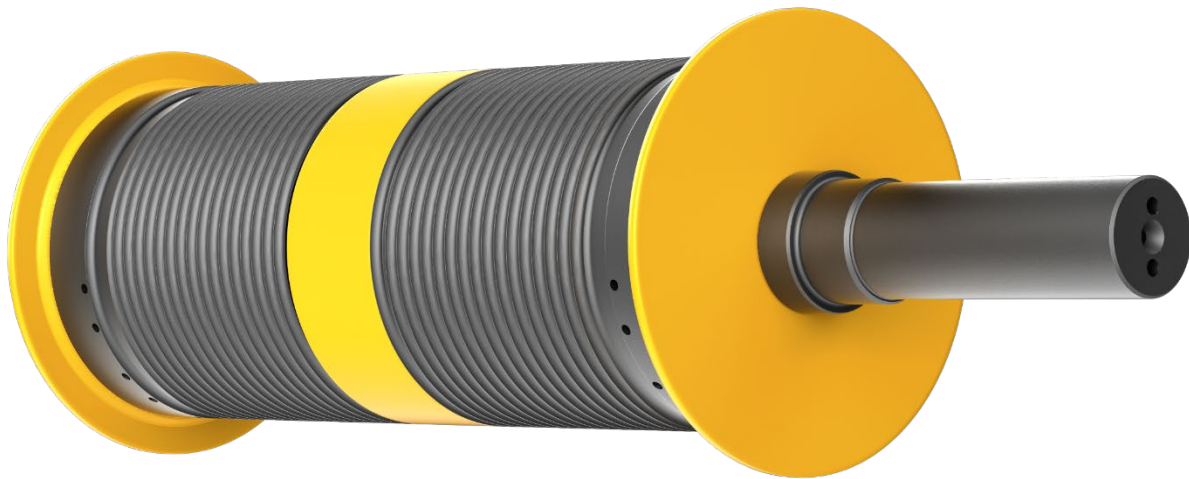
Original OEM KoRo RIW hydraulic buffer
will compensate up to 1.000 kN to the end
while 50 – 1.600mm stroke, customized
cushioning properties according to specific
loading conditions.

Bumper

“Ready to install” solution for your crane
track.

KORO RIW

Rope Drum from Experts only



OEM Rope drums designed and made in Germany

Up to 2.000mm dia and 7.000mm length,

Max. single drum weight: 10 t

Steel work executed acc. to DIN EN 1090 EX3

Single or double grooved execution

Multilayer execution

Various drum couplings and gearbox connection

For 100% Performance

KORO RIW

Our competence and service for ports and logistics

- Wheels
- Rope drums
- Bottom blocks
- Sheaves and pulleys
- Load handling devices
- Load traverses
- Brakes
- Buffer
- Replacement kits and
- Great service



**For 100% Performance
and enhanced operational safety**

**Our competence in oil and gas, petrochemical
industry**

- **Brass wheels**
- **Wheels sets**
- **Wheel blocks**
- **Brass rims**
- **Bottom blocks**
- **Bronze coated hooks**
- **OEM winch components**



KORO RIW

For 100% Performance

Our competence in precast,
Construction, cement and
mining

- Wheels
- Winches
- Bottom blocks
- Sheaves and pulleys
- Load handling devices
- Load traverses
- Replacement parts
- Brakes



A scenic view of the Golden Gate Bridge in San Francisco at sunset. The bridge's iconic red-orange towers and suspension cables are silhouetted against a sky of vibrant orange, yellow, and purple. The water of the bay is dark blue with white foam from the waves crashing against a rocky shoreline in the foreground. The bridge's approach spans across the water, leading to the main suspension span.

KORO RIW

For 100% Performance

**Our competence in precast,
Construction,
cement and mining**

- **Wheels**
- **Winches**
- **Bottom blocks**
- **Sheaves and pulleys**
- **Load handling devices**
- **Load traverses**
- **Replacement parts**
- **Brakes**

KORO RIW



37 TEN
80 D-VTG
9327 772-1
Uacns **GE**

20.2 kN
18 010 kg
20.0t
82000L (

Fax +49 40 2354-2330
service@vtg.com
www.vtg.com

A
S 45
120

MAX: 2.8% **G1**

1.80m

For 100% Performance

Our competence at ports and shipyards is a legend

- **Wheels**
- **Winches**
- **Bottom blocks**
- **Sheaves and pulleys**
- **Load handling devices**
- **Load traverses**
- **Replacement parts**
- **Brakes**
- **Great service**



For 100% Performance



Our competence at ports and shipyards is a legend

- **Wheels**
- **Winches**
- **Bottom blocks**
- **Sheaves and pulleys**
- **Load handling devices**
- **Load traverses**
- **Replacement parts**
- **Brakes**



For 100% Performance

KORO RIW

Our competence and service for renewable energy

- **Wheels**
- **Winches**
- **Bottom blocks**
- **Sheaves and pulleys**
- **Load handling devices**
- **Load traverses**
- **Brakes**

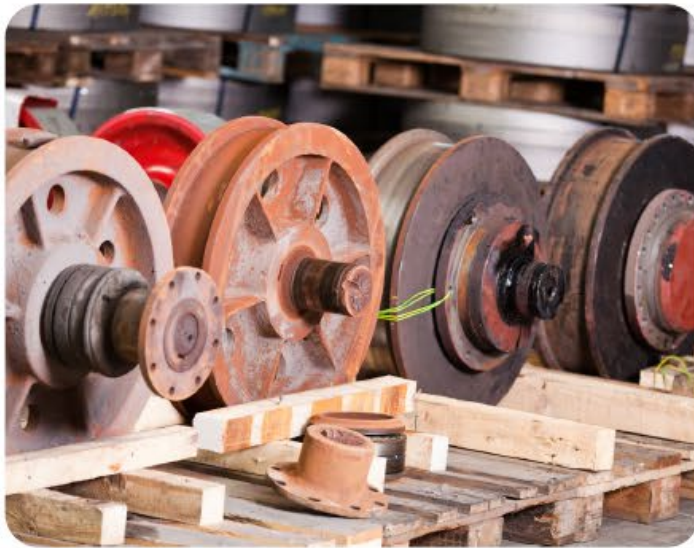


Always Aiming for Excellence in Crane Components



KORO RIW COMPETENCE IN COMPONENTS

RECONDITIONING



Before reconditioning



After reconditioning



Example of gear profile reconditioning

KORO RIW COMPETENCE IN COMPONENTS

QUALITY CONTROL AND MATERIALS TESTING CERTIFICATES

KORO RIW stands for quality. Our company has been continuously certified to ISO 9001 since the early 1990s.

CERTIFIED TESTING METHODS (LEVEL 2)

- 🔍 Ultrasound testing (UT)
- 🧲 Magnetic particle testing (MT)
- 🔍 Dye penetrant testing (PT)

OTHER TESTING METHODS

- 📷 Optical 3D measuring methods
- 🔍 Hardness testing (HRc, HV, HB testing methods)



Always Aiming for Excellence in Crane Components

KORO RIW

KORO RIW COMPETENCE IN COMPONENTS

OUR MISSION



Continuous investment in modern equipment

- DMC 80 FD duoBLOCK
- CTX beta 1250 TC with Robo2Go
- HESSAPP FFG VDM 1000



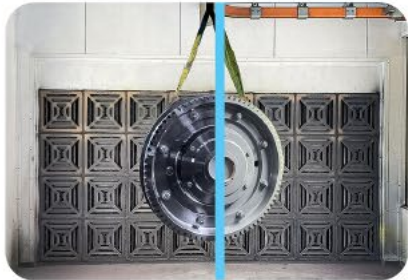
Systematic development at our company sites



Investing in our personnel

KORO RIW COMPETENCE IN COMPONENTS

SUSTAINABILITY



New paint shop with fume hood and filter system for a significant reduction in environmental impact



State-of-the-art milling machines for efficient production

**WE MANUFACTURE WITH
SOLAR ENERGY FROM
OWN PRODUCTION**



View into the semi-automated drying plant with reduced heat output and heat recovery



Everything for our customers
Everything for our employees
We are (on your) service

KORO RIW

Please get in contact

